

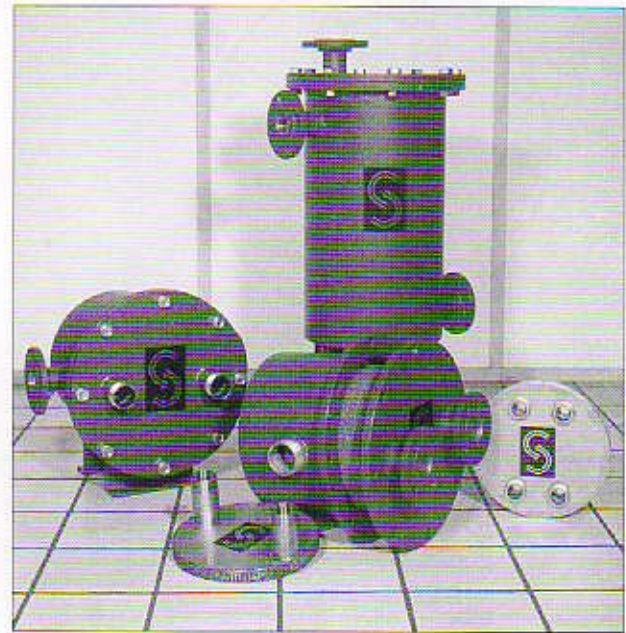


SONDEX

"All Welded" Plate and Shell Heat Exchanger

Design and Function of the Heat Exchanger:

This heat exchanger works in the same way as an ordinary tubular unit, however, it is more efficient because plates have been used instead of tubes. The plates are laser/TIG welded together to form a plate pack, which is then mounted inside a traditional cylindrical shell.



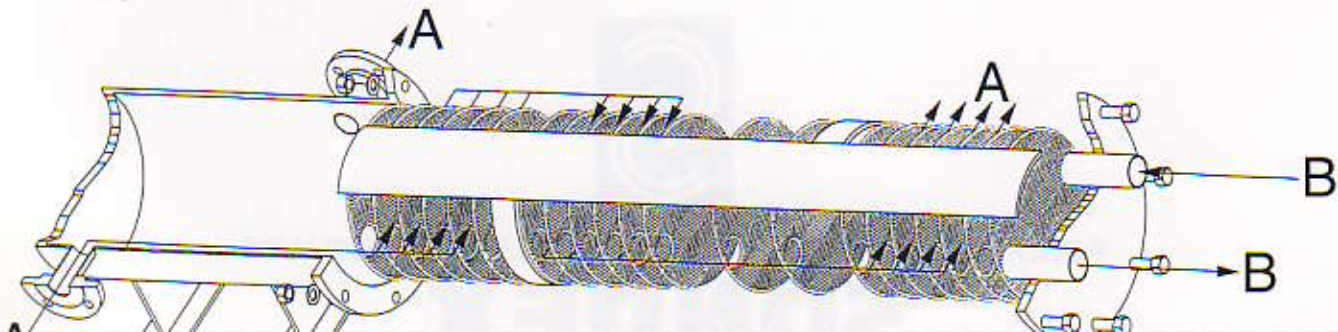
The Advantages of this Heat Exchanger:

- No gaskets
- Safe operation without risk of leakage
- High working temperatures up to 250°C
- High working pressure up to 25 bar
- High K-values
- Small liquid hold up volume
- Small space requirement
(only 30% of a traditional tubular heat exchanger)
- Easily serviced

Applications for Sondex

»All welded Plate and Shell Heat Exchanger«:

- District heating
- Steam heating
- Thermal oil heating
- Evaporator for refrigerants
- Condenser for refrigerants



Construction material

Plates:

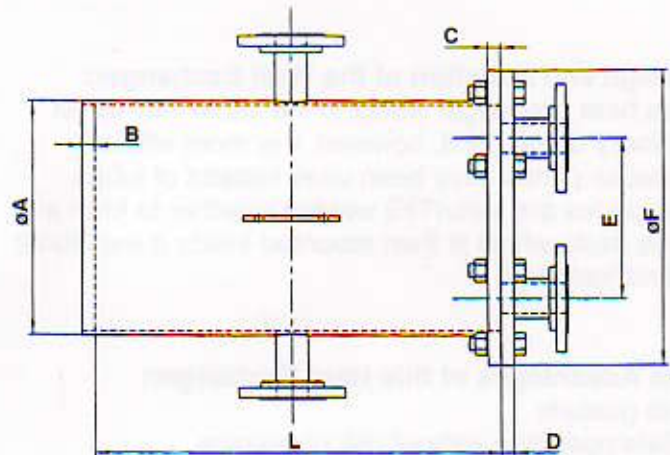
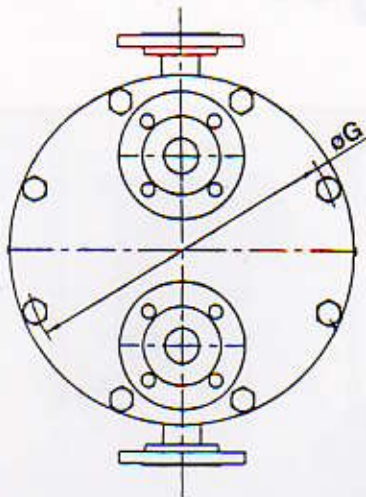
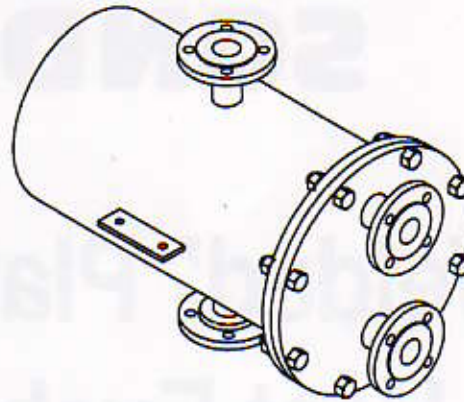
- AISI 304
- AISI 316
- TITANIUM.
- 254 SMO

Shell:

- Carbon steel
- Stainless steel

Connections:

- Flanges according to all standards
- Threaded pipe, BSP



Type	øA mm	B mm	C mm	D mm	E mm	øF mm	øG mm	L mm
SPS-16-PN16/25	168,3	12	12	12	98	250	215	n x 2,4 + 2
SPS-22-PN16/25	219,1	15	15	15	134,6	300	265	n x 2,3 + 3
SPS-72-PN16	355,6	20	20	20	245	450	405	n x 2,8 + 4
SPS-72-PN25	355,6	20	20	25	245	450	405	n x 2,8 + 4
SPS-179-PN16	560,0	25	25	40	340	660	620	n x 2,8 + 6
SPS-179-PN25	560,0	30	30	45	340	660	620	n x 2,8 + 6

Sondex Inc 7040 International Drive, Louisville KY 40258



SONDEX AIS • JERNET 9 • DK-6000 KOLDING • DENMARK

SONDEX